

# 10. Circuit Diagrams and PWB Layouts

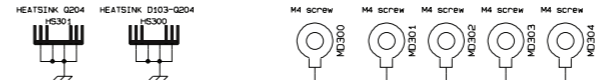
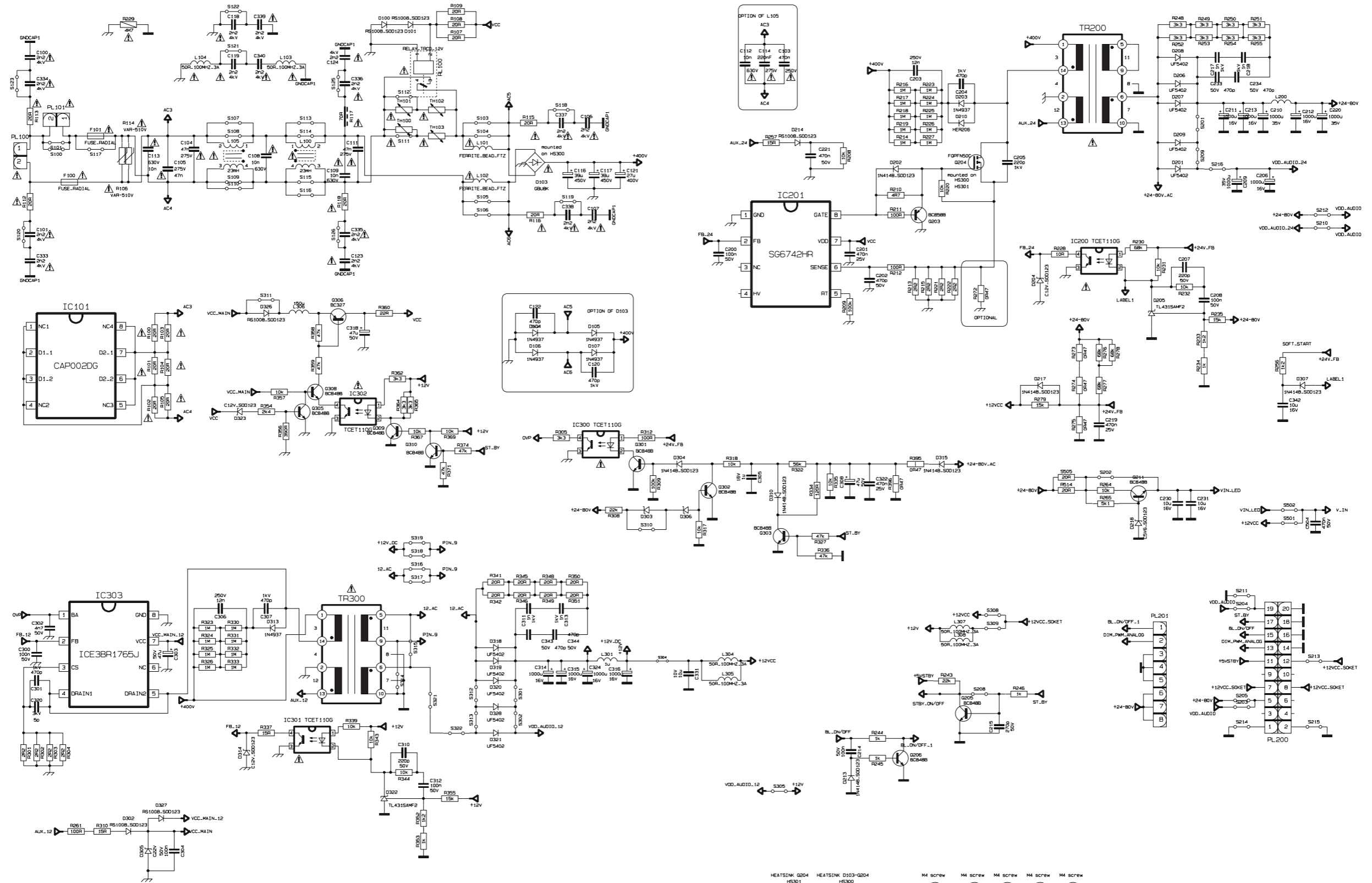
## 10.1 A 17ips19-5 26" to 40" LED Slim Integrated Power Supply

10-1-1 A01

**A01**

26" to 40" Slim Integrated Power Supply

**A01**

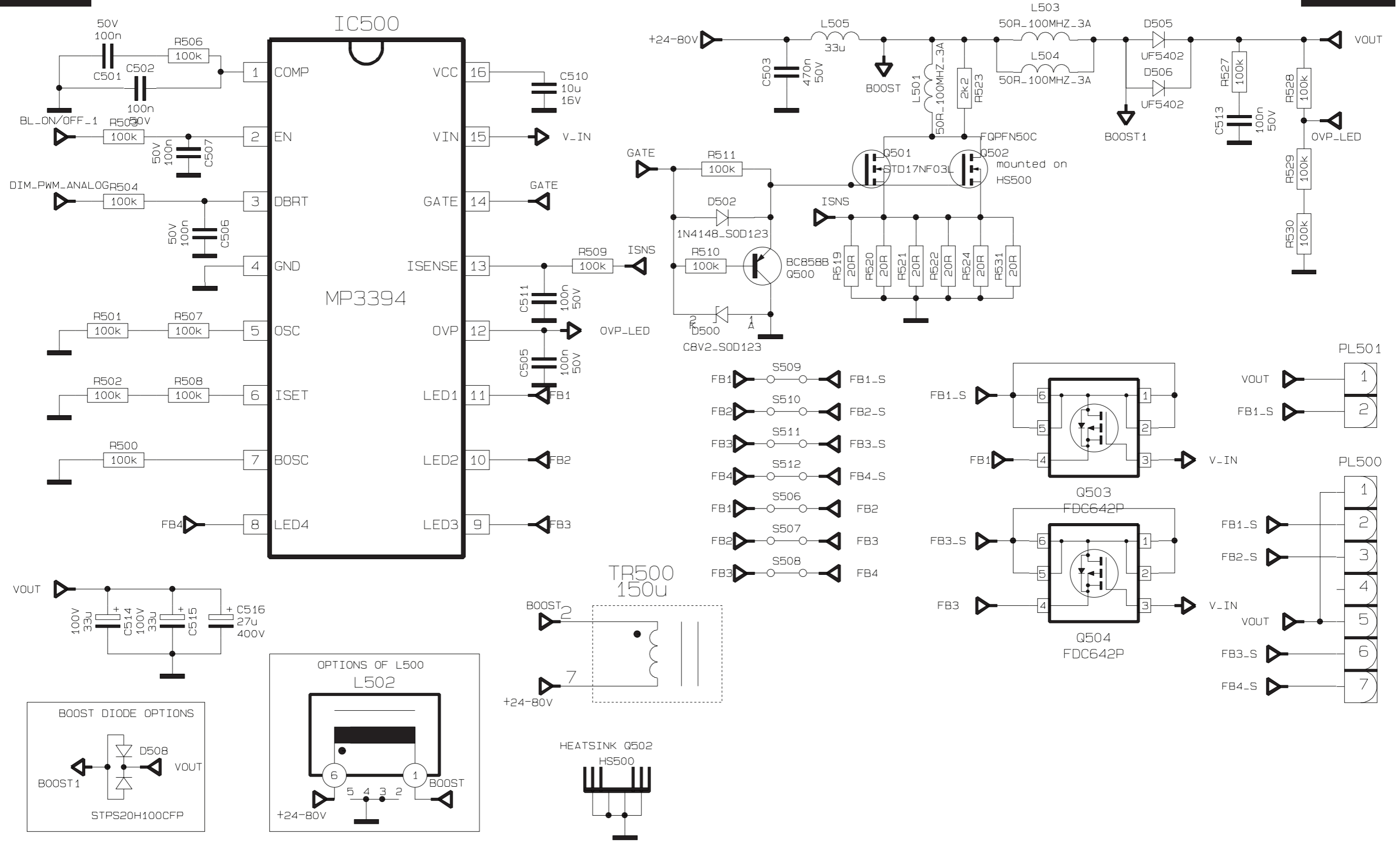


26" to 40" Slim Integrated Power Supply	2722 171 9032	3	2011-05-02
---	---------------	---	------------

10-1-2 A02

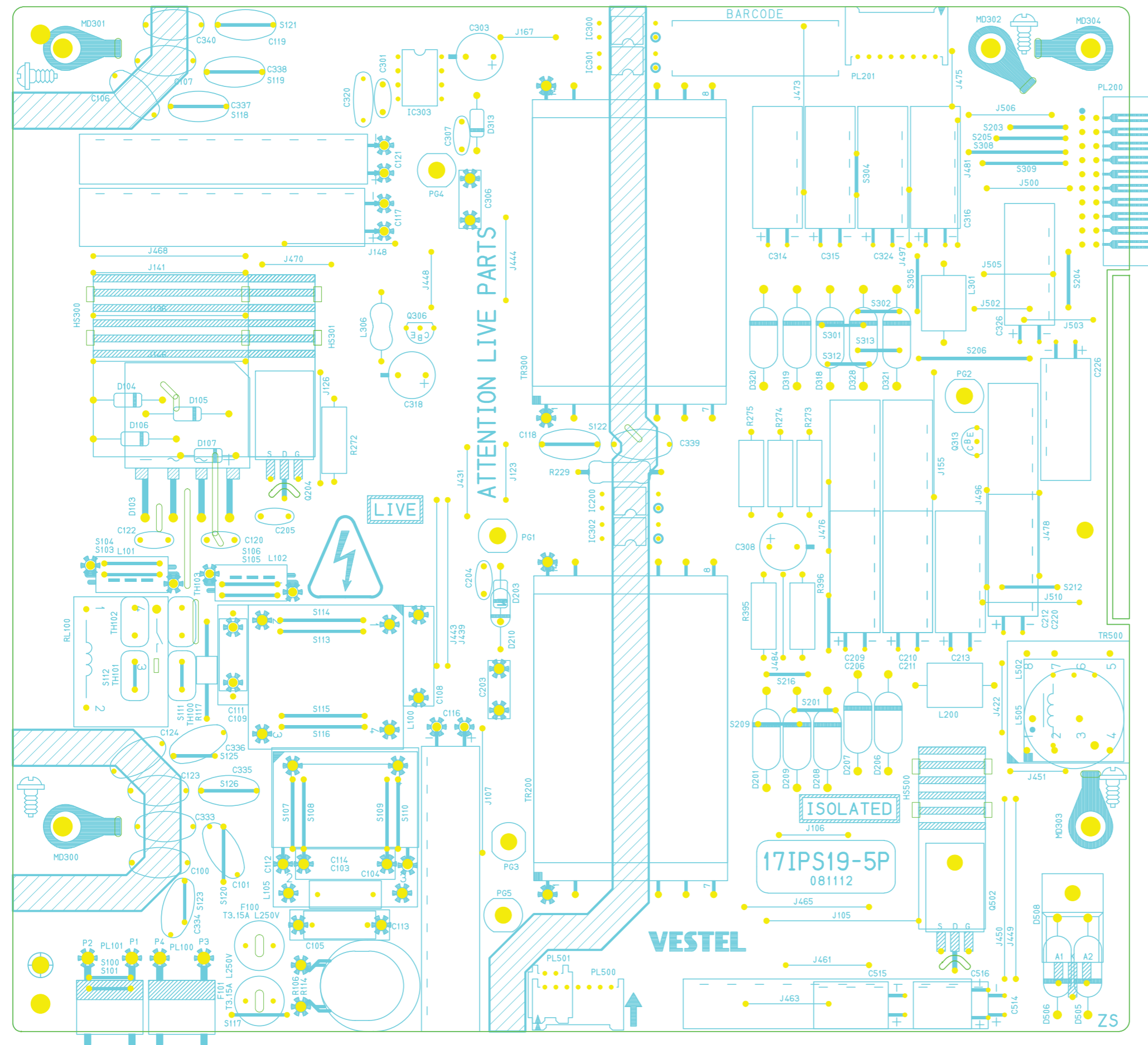
**A02** 26" to 40" Slim Integrated Power Supply

**A02**



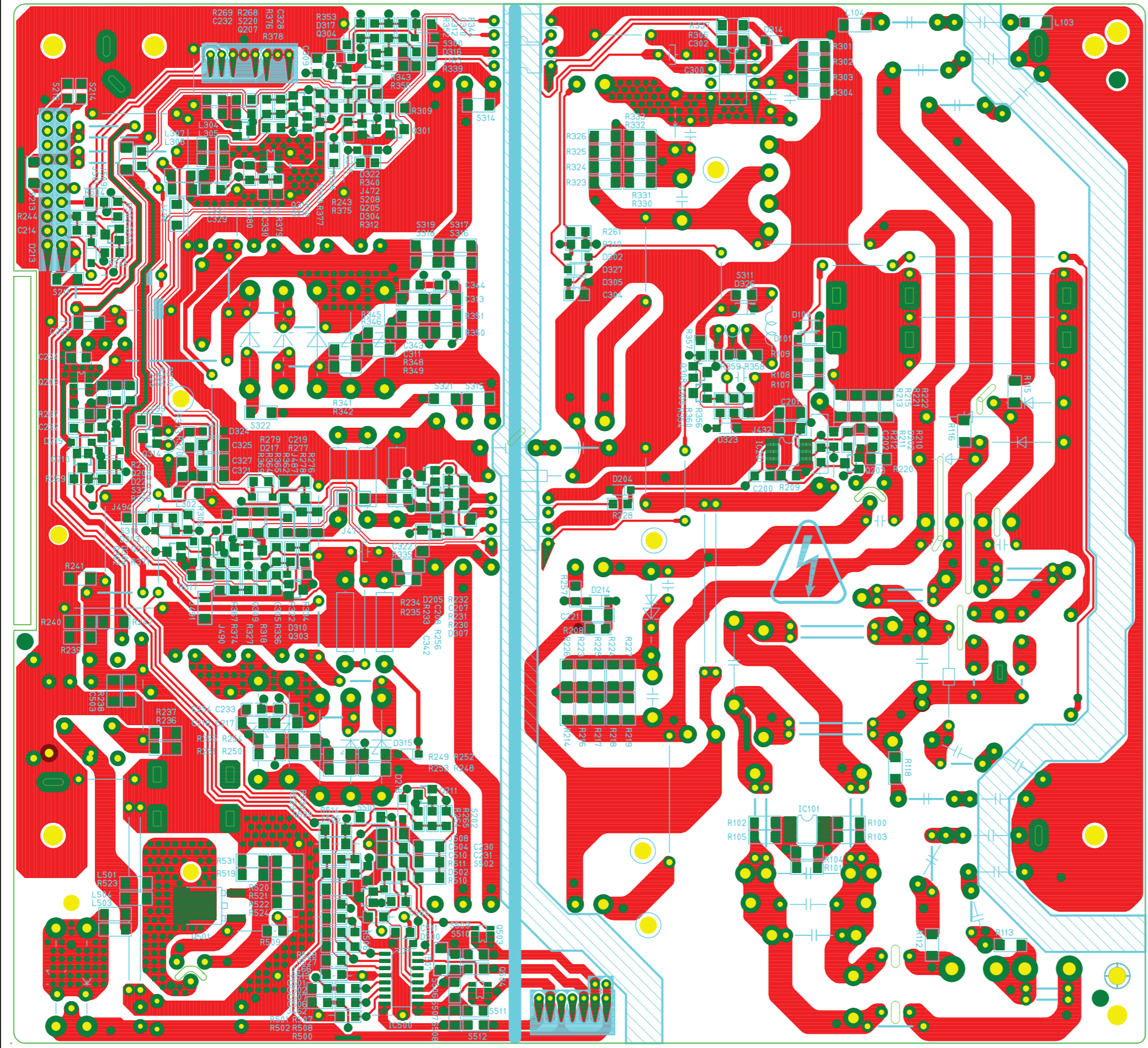
26" to 40" Slim Integrated Power Supply	17IPS19-5	1	2012-08-08
		2	
		3	
		4	
		5	
		6	
		7	

10-1-3 Layout top



PSU Layout Top	17ips19-5	1	2012-08-08

10-1-4 Layout bottom



PSU Layout Bottom	17tps19-5	1	2012-08-08